

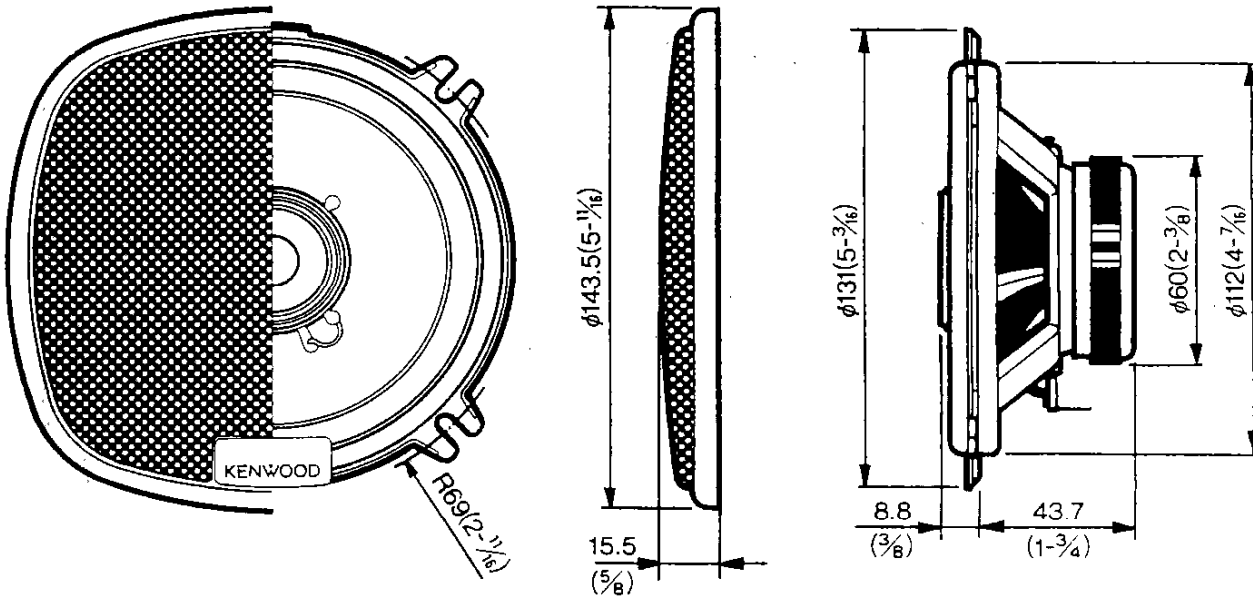
KFC-1373

SERVICE MANUAL

KENWOOD

© 1990-10 PRINTED IN JAPAN
B51-6236-00 (O) 1430

EXTERNAL VIEW



UNIT : mm (inch)




SPECIFICATIONS

Speakers

- Woofers 13cm (5-1/4in) Water Proof Treatment
Cone Type 81g (2.9oz) Magnet
- Tweeters 4cm (1-9/16in) Cone type
- Peak Power 60 Watts
- Frequency Response 50Hz~22,000Hz
- Sensitivity 91dB/W at 1m
- Impedance 4 Ohms
- Weight Per Speaker 0.39kg (13.8oz) /Pc.

We follow a policy of advancements in development.
For this reason specifications may be changed without notice.

PARTS INCLUDED

-  4.5m(15ft) X2
-  $\phi 4-20(3/16-1/16)$ X8
-  X8

PARTS RIST

* New parts
Parts without parts **No.** are not supplied.

Ref No.	New Parts	Parts No.	Description
		B06-0443-08	FRONT GRILLE
		B46-0100-20	WARRANTY CARD
		E30-5058-08	CORD SET
		F09-0991-08	PROTECTOR
		N99-1088-08	SCREW SET
	*	T15-0172-08	SPEAKER

Q.C.
COPY